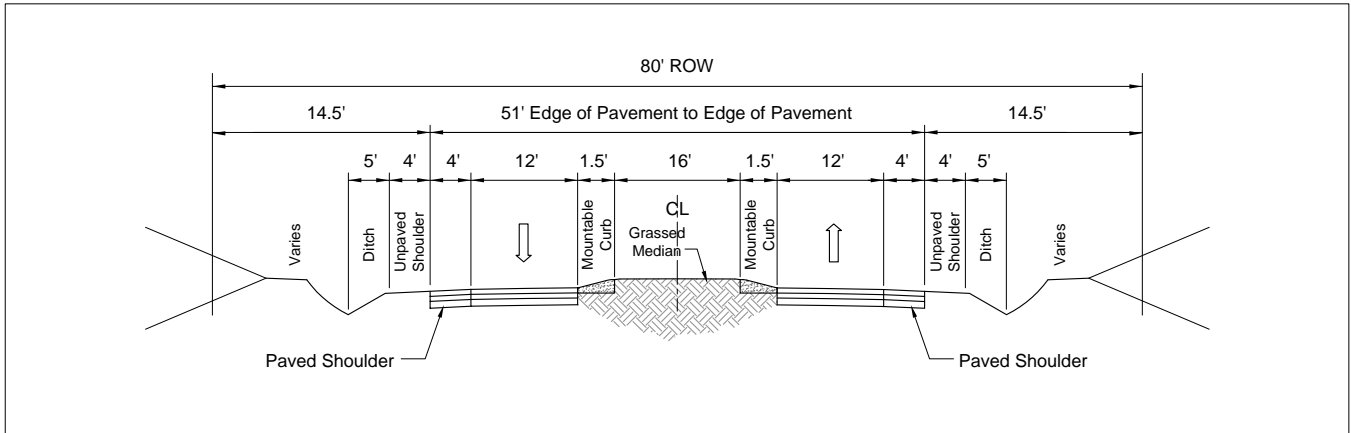


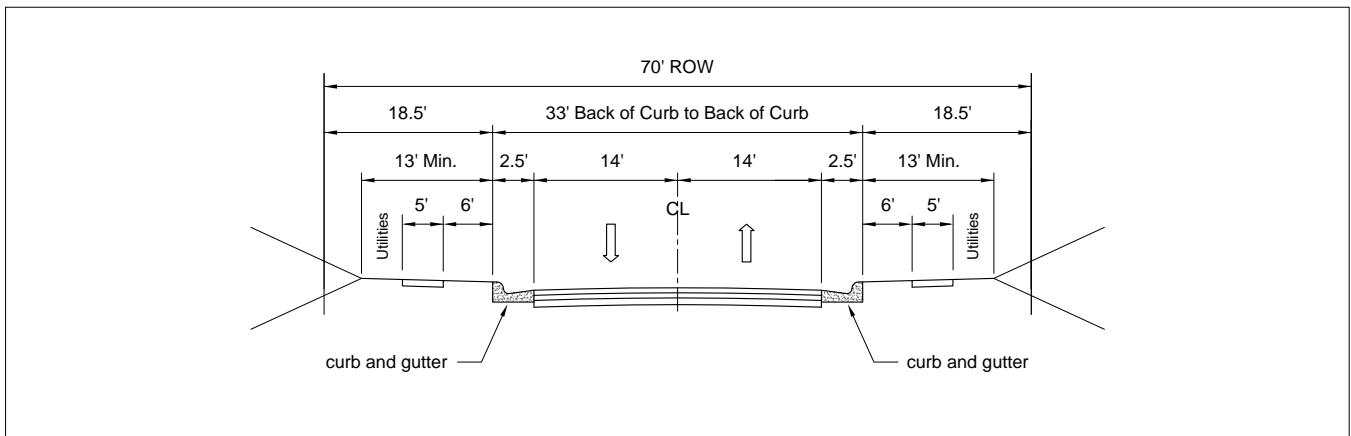
2 Lane Median Divided with Shoulder Section Urban Section

#6



2 Lane with Curb and Gutter and Wide Outside Lanes

#7



2 Lane with Curb and Gutter and Bicycle Lanes

#8

