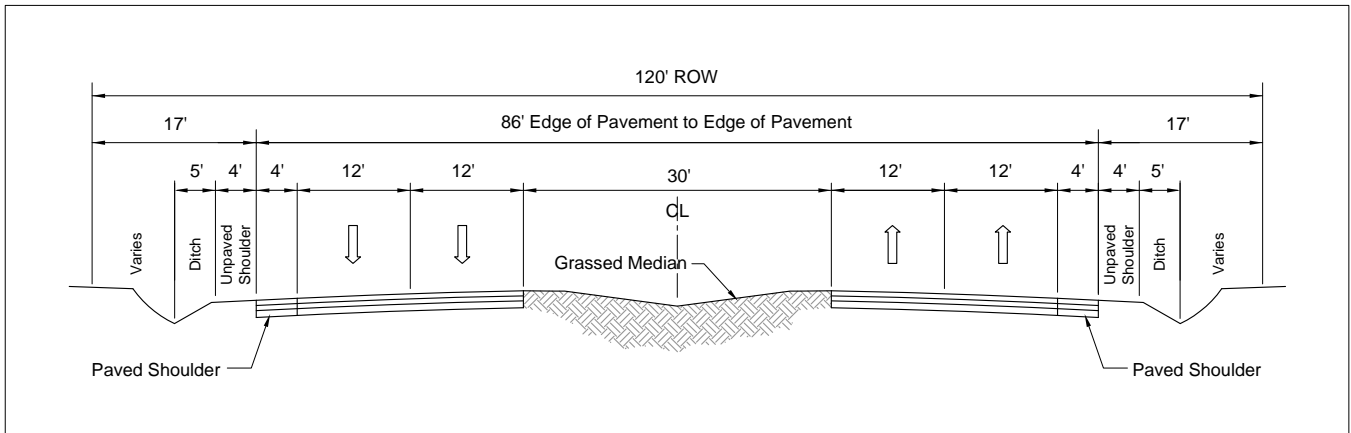


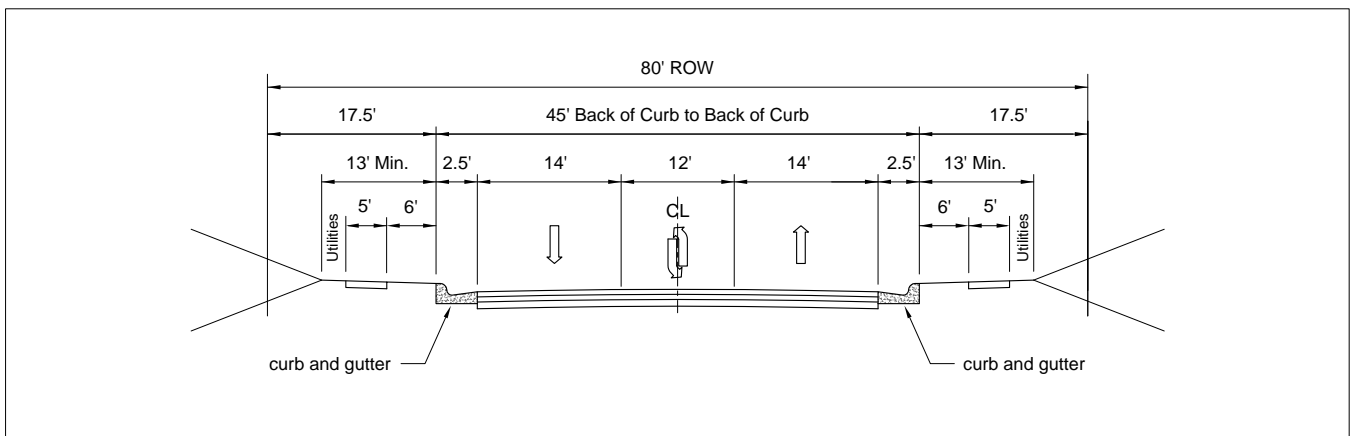
# 4 Lane Median Divided with Shoulder Section Rural Section

#3



# 3 Lane with Curb and Gutter and Wide Outside Lanes

#4



# 3 Lane with Curb and Gutter and Bicycle Lanes

#5

